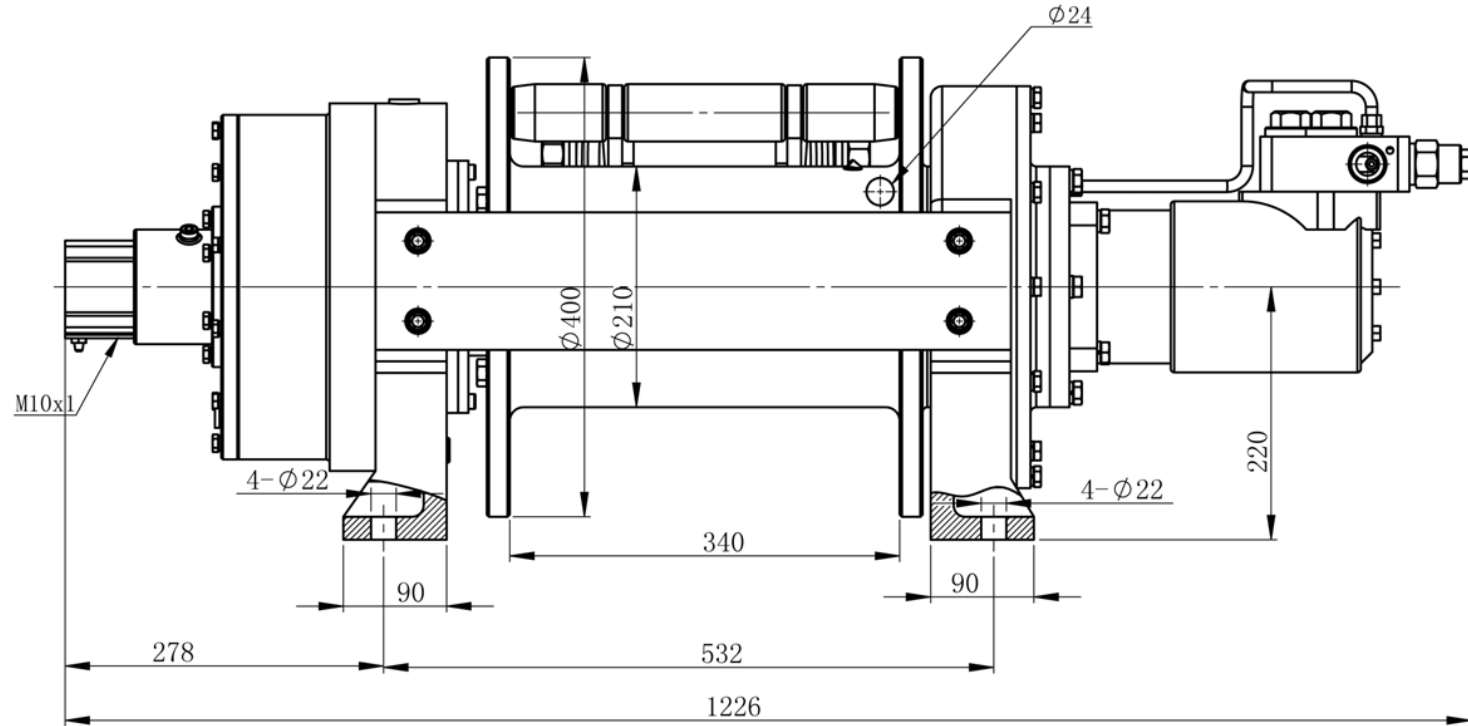
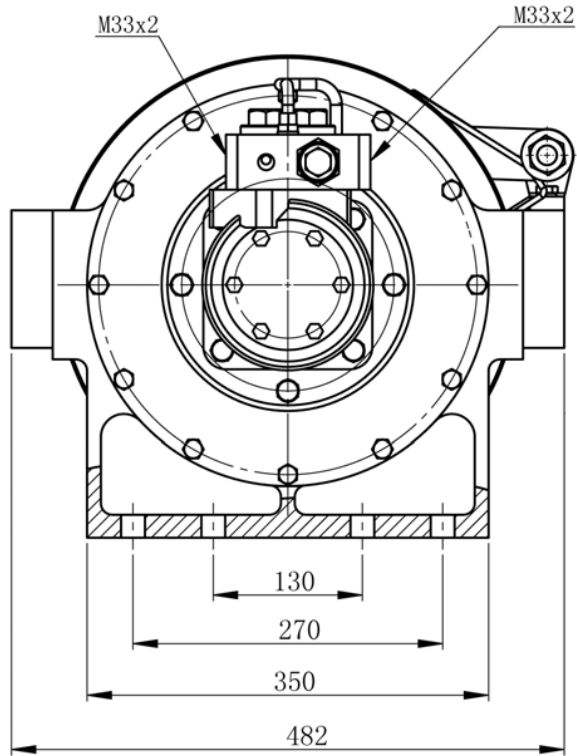




C13.5 JP TECHNICAL DIAGRAM



VALUE WITHOUT COMPROMISE